



IMPORTANT



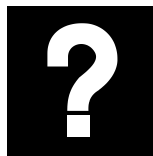
Be Sure
to Read this
Manual
Before Use



UNIS TECHNOLOGY

Operation Manual

WE ARE HERE TO ASSIST For parts and service



Have Questions? Contact us!

UNIS SERVICE CENTER

Tel: 972-241-4263

Email: service@unispartsandservice.com

www.unispartsandservice.com

When contacting Service, you will need the following information and the name of your authorized distributor.

Suitable for Indoor Use Only	
NAME: Star Crusaders2 GMP	MAX POWER: 650W
MODEL: C-739	MIN POWER: 550W
VOLTAGE: AC 110V ~	FREQUENCY: 50/60Hz
S/N:	DATE:
Guangdong UNIS Technology Co.,Ltd.	

CONTENT

IMPORTANT SAFETY INSTRUCTIONS.....	3
1. SPECIFICATIONS.....	5
2. CONTENTS OF THE ACCESSORY KIT.....	6
3. PART NAME.....	7
4. SET UP & INSTALLATION.....	8
5. HOW TO PLAY.....	14
6. GAME OPTION.....	15
7. TROUBLESHOOTING.....	19
8. MAINTENANCE & INSPECTION.....	22
9. WIRING DIAGRAM.....	23

Thank you for purchasing **Star Crusaders 2**. We hope you enjoy the product.

This manual contains valuable information about how to operate and maintain your game machine properly and safely. It is intended for the owner and/or personnel in charge of product operation. Carefully read and understand the instructions.

If you need any help during installation and setup please utilize this manual and troubleshooting guide. If the product fails to function properly, *non-technical personnel should under no circumstance attempt to service the machine*. Contact your distributor or manufacturer for help.

Before use, please read **IMPORTANT SAFETY INSTRUCTIONS**.

IMPORTANT SAFETY INSTRUCTIONS

To ensure the safe usage of this product, carefully read and understand these instructions before operating your game.

Save these instructions for future reference.

Use this product only as described in this manual. Other uses not recommended may cause fire, electric shock or personal injury. Unplug the game from the outlet when not in use, when moving from one location to another, and before cleaning/servicing.

Explanations which require special attention are indicated by signs of warning. Depending on the potential hazardous degree, the terms: **NOTE**, **NOTICE**, and **WARNING** are used.

NOTE: A NOTE indicates useful hints or information about product usage.

NOTICE: A NOTICE indicates potential damage to product and how to avoid the problem.

WARNING: A WARNING indicates a potential for product damage or serious personal injury.

It is important to understand the meaning of the following HAZARD SIGNS before continuing:

High Voltage and Shock Hazard:

High voltage can cause electric shock.
Turn off/unplug power before servicing.



High Temperature Hazard:

This part may cause scalding.
Do not touch. Surface may be hot.



No Touching Hazard:

This part may be hot or can cause electric shock.
Do not touch.



Use the following safety guidelines to help ensure your own personal safety and to help protect your equipment and surrounding environment from potential damage.

⚠️ This product is an indoor game machine. Do not install outdoors.

Avoid installing in the following places to prevent fire, electric shock, injury and/or machine malfunctioning:

- Places subject to rain/moisture, or places subject to high humidity.
- Places subject to direct sunlight, or places subject to extremely hot or cold temperatures to ensure that it is used within the specified operating range.
- Places where inflammable gas may be present or in the vicinity of highly inflammable/volatile chemicals or items that can easily catch fire.
- On unstable or sloped surfaces. The machine may topple or cause unforeseen accidents.
- Vicinity of fire exits, fire extinguishers etc that may block/prevent safety measures.

IMPORTANT NOTE:

ALL REPAIRS MUST BE DONE TO ORIGINAL MANUFACTURER SPECIFICATIONS. FAILURE TO DO SO VOID ALL WARRANTIES AND OPERATOR ASSUMES ALL RISKS.

Note: The contents of this manual may be updated without notice.

1. SPECIFICATIONS

Rated power supply: AC110V 50/60Hz; AC220V 50/60Hz (It is subject to the nameplate on the back of the machine.)

Min. Power consumption: 550W

Max. Power consumption: 650W

Dimension: H108.74×W66.29×D88.81 in

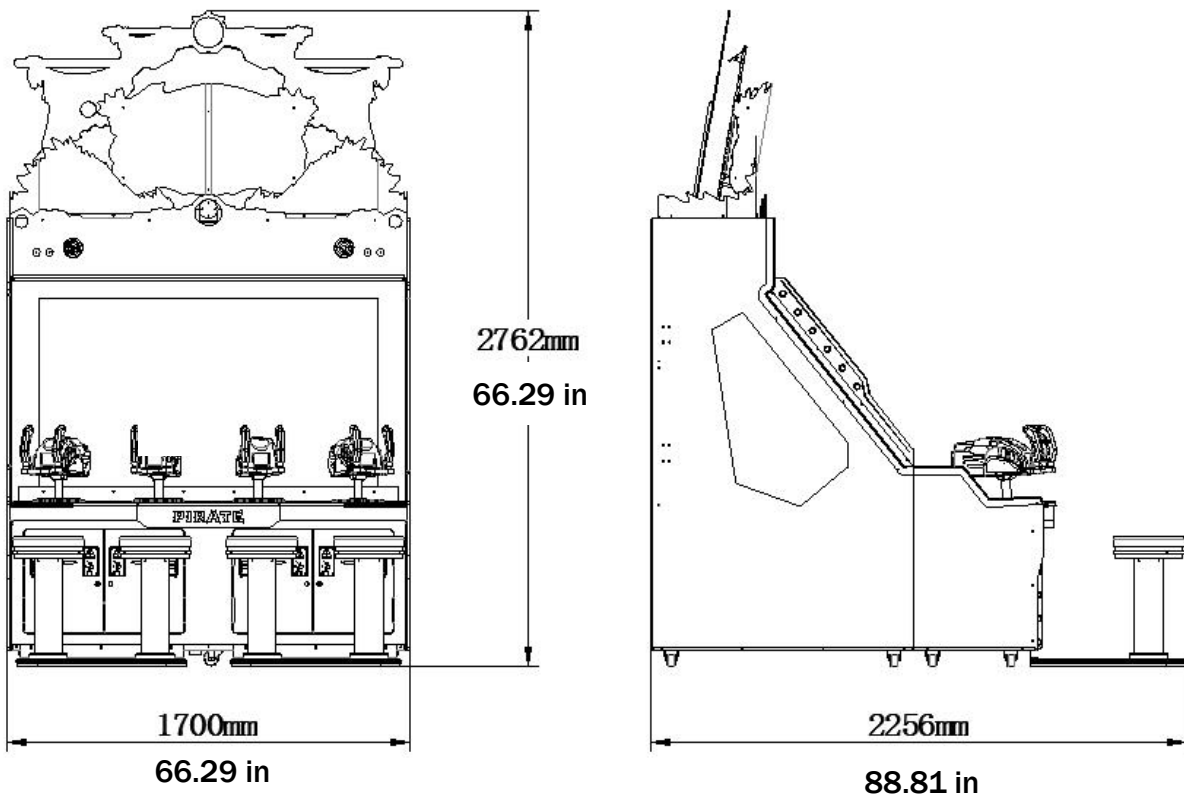
H2762× W1700 ×D2256 mm

Weight: Approximately 956.80 lb/434kg

Model No: C-739



NOTICE: After turning off the game, please wait at least 1 minute before restarting again.



Note: Game specifications are subject to change without notice.

2. CONTENTS OF THE ACCESSORY KIT

Open the package and make sure all the items are included:

Following accessories

No.	Code No.	Name/SPEC	Picture	Qty
1	2.53.00171002	171A key		2
2	2.53.00172002	171B key		2
3	201.04.020003	Cross recessed hexagon bolt set M6×20		12
4	201.01.108005	Hexagon flat head screw M6×25		6
5	201.01.108022	Hexagon flat head screw M4×8		6
6	201.04.023001	Cross recessed hexagon bolt set M8×45		4
7	4.14.40000580	Manual		1
8	/	Power cord 10A/250V 1.8M		1
9	2.19.01.000013	Fuse Φ5×20 T10A/250V		1

NOTE: Part models are subject to change without notice.

3. PART NAME

Key Components



4. SET UP & INSTALLATION

⚠ NOTICE

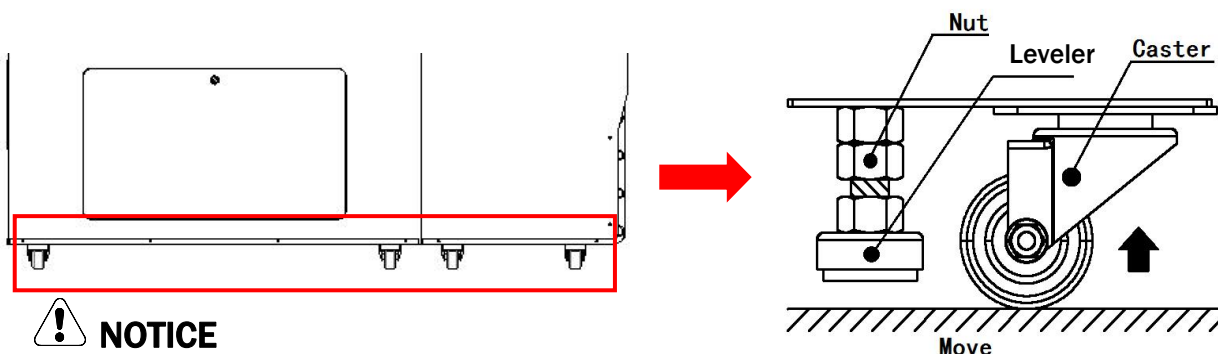
We do not recommend using power tools as they may cause damage.

⚠ **This product is an indoor game machine. Do not install outdoors.**

- Refer to IMPORTANT SAFETY INSTRUCTIONS (Pg. 3) for places to avoid.
- Place the unit on a dry level surface.
- Ventilation openings in the back of the unit must not be obstructed by objects or by wall.

4.1 Transporting the Game

If you need to move the game, adjust the levelers back to an “up” position.



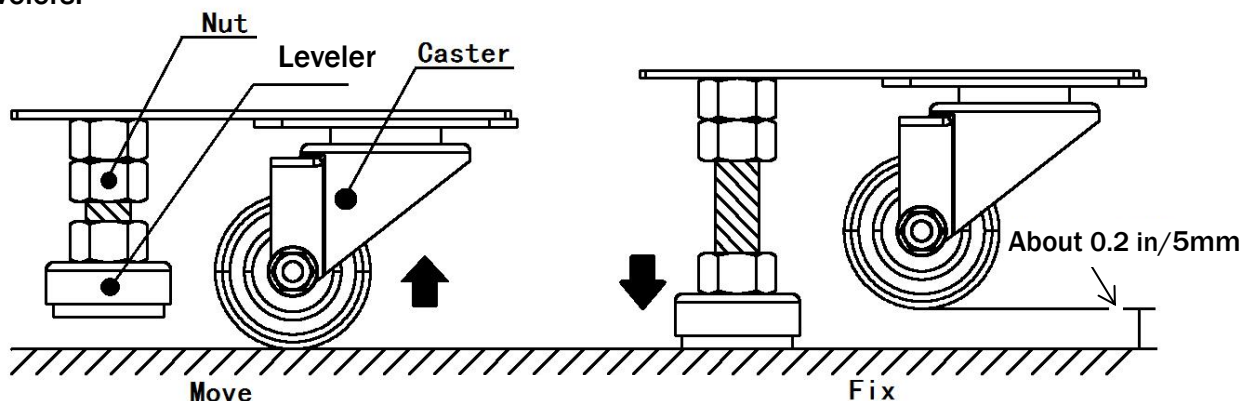
⚠ NOTICE

- Be careful not to damage the machine during transport.
- Always unplug the game before moving.
- Keep the machine in upright position during transport.
- For longer distance transport, package the game properly to prevent damages.

4.2 Level Adjustment

Install this game on a flat surface. If the game is installed on an unsuitable floor, it could cause game malfunction.

To secure the game, loosen the nut, utilize wrench to adjust the leveler down until it touches the floor, lifting the casters off the ground by 0.2 in/5mm. Repeat the same for all levelers.



⚠ NOTICE

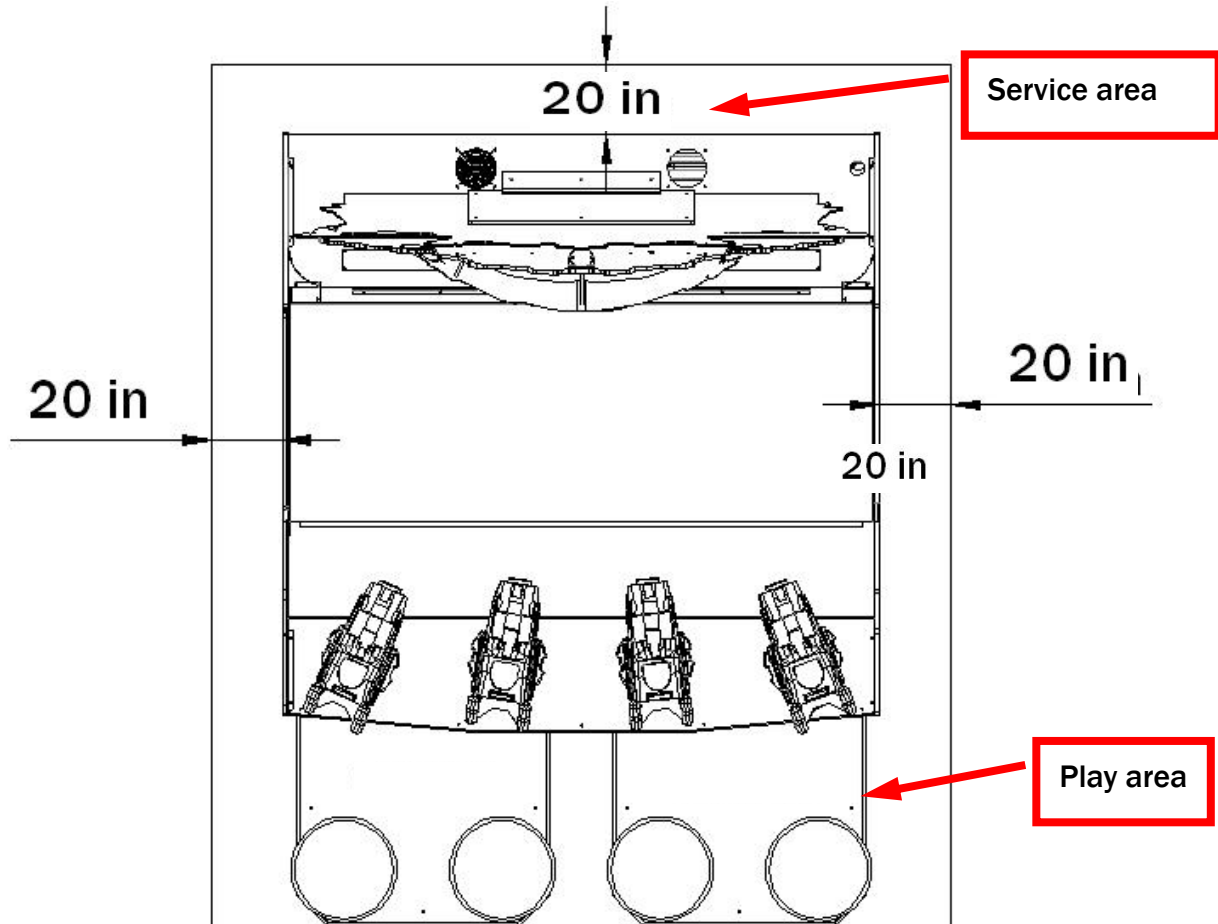
Make sure the machine is level.

4.3 Play Zone

This machine requires space for playing and for maintenance as shown below.

Leave space around the game upon installation:

Service area: 500 mm

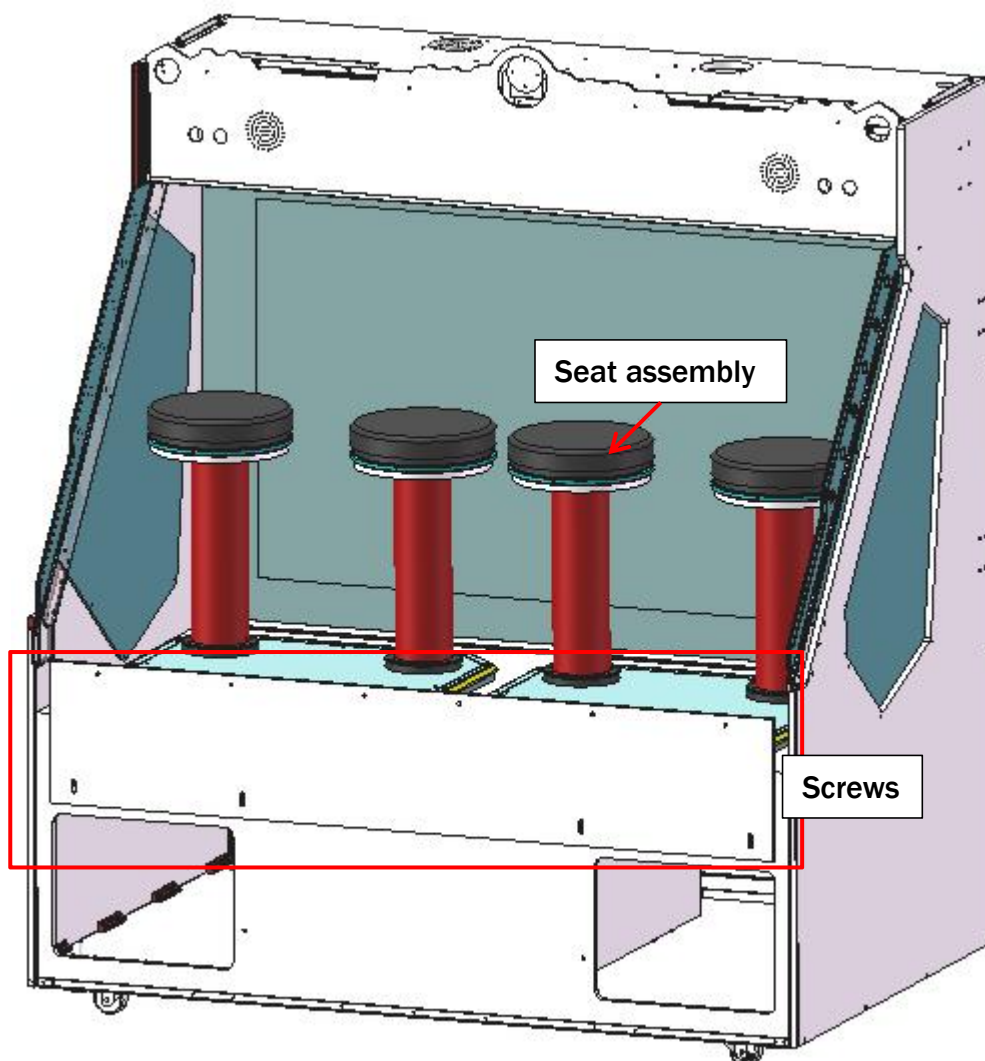


NOTICE

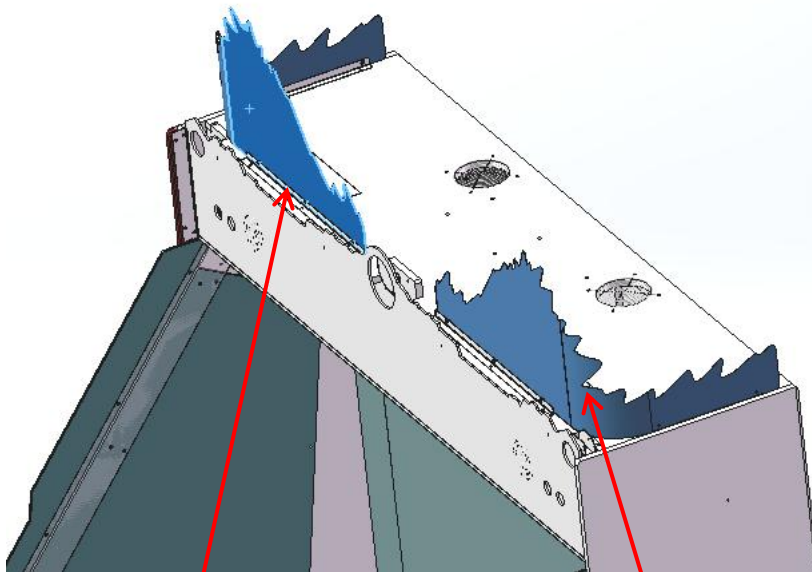
Your unit must be leveled to operate properly.

4.4 Machine Installation

Step 1 Remove all the screws as shown below. Remove Seat assembly.



Step 2 Install L&R side decal to the top of the cabinet. Utilize screws to secure.



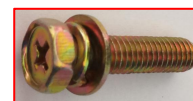
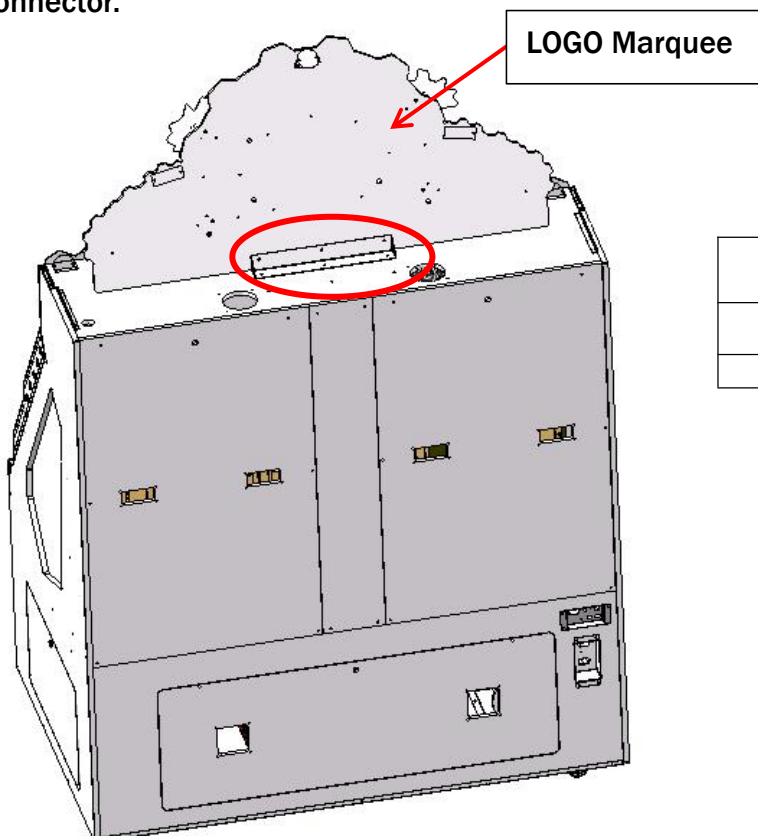
Name	Hexagon flat head screw
Spec.	M4×8
Qty	10



Name	L side decal
Qty	1

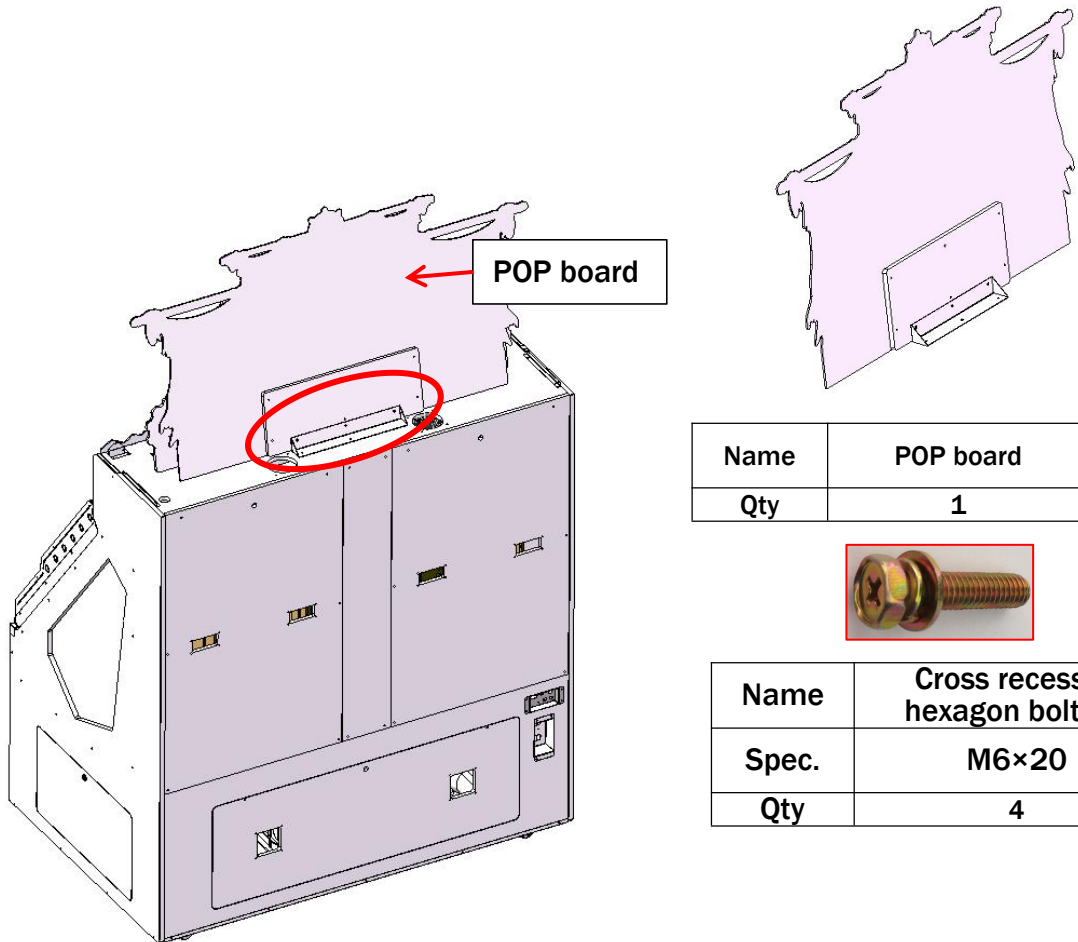
Name	R side decal
Qty	1

Step 3 Place LOGO marquee to the top of the cabinet. Utilize screws to secure. Connect the connector.

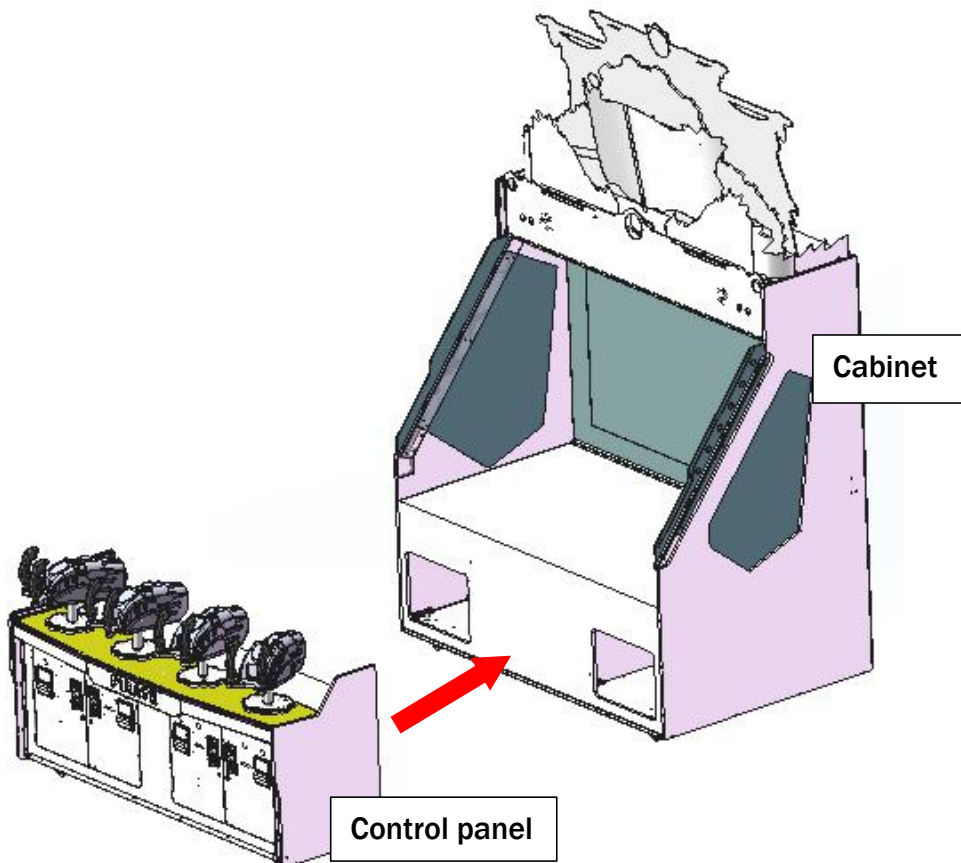


Name	Cross recessed hexagon bolt set
Spec.	M6×20
Qty	4

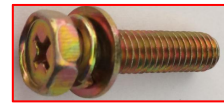
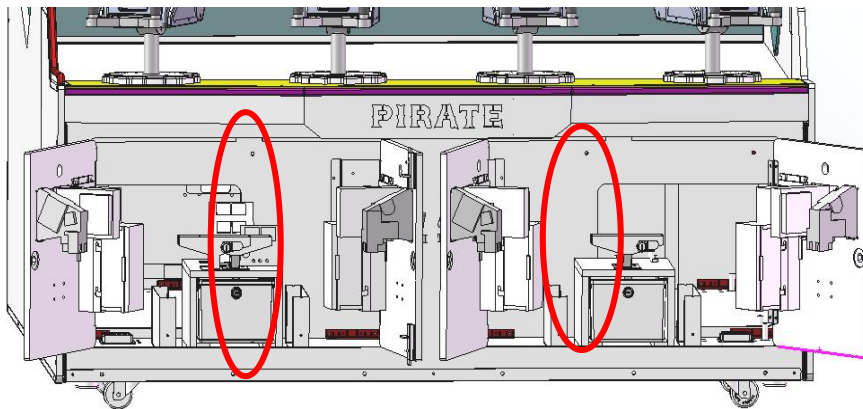
Step 4 Install POP board to the back of the LOGO marquee. Utilize screws to secure.



Step 5 Align the Control panel with the cabinet. Connect the connectors.

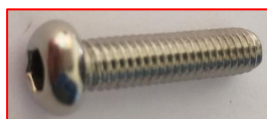
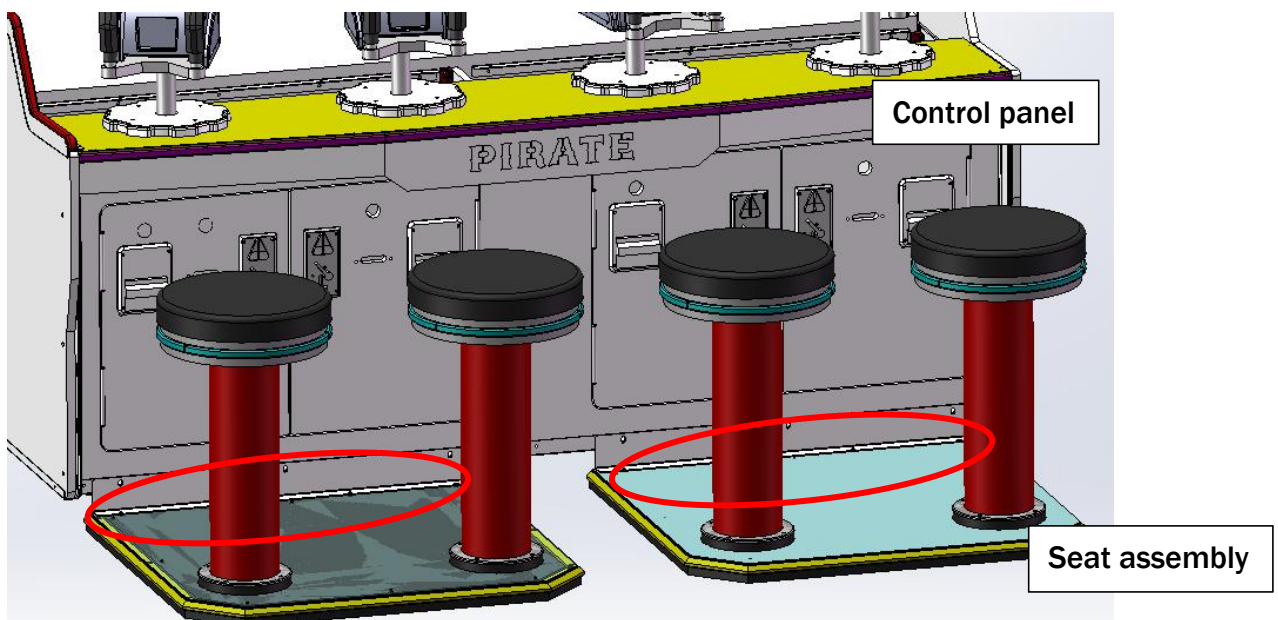


Step 6 Open the L&R front door. Utilize screws to secure.



Name	Cross recessed hexagon bolt set
Spec.	M8×45
Qty	4

Step 7 Align the Seat assembly with the cabinet. Connect the connectors. Utilize screws to secure.



Name	Hexagon flat head screw
Spec.	M6×25
Qty	6

Finish!

4.5 Card Reader Installation Safety Notice



Take precaution to assure that all wiring voltages are confirmed prior to installation of card reader. All warranties are void if not properly installed resulting in logic board damage.

Important: This game is pre-wired to AAMA standards. It is highly recommended to utilize this wiring for Card reader installation.

5. HOW TO PLAY

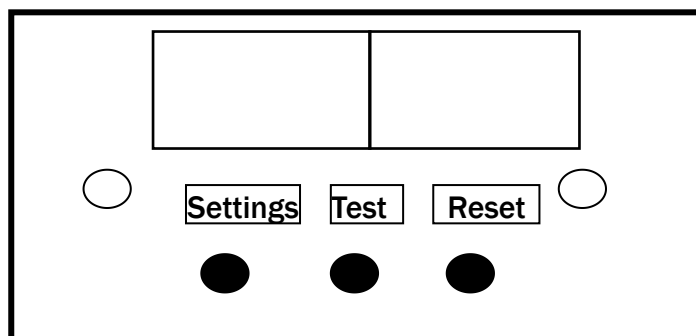
5.1 Insert card to play. Press the button to play.

5.2 Pull the gun to shoot the target and get points.

5.3 Get high score and win more tickets.

6. GAME OPTION

6.1 Adjustment button instruction



Open the coin door and there is a meter panel. Press Settings button to enter the setting menu.

6.2 Setting menu

6.2.1 Main menu

Options
Game Setting
I/O Output Test
I/O Input Test
Bookkeeping
Daily Record
Game Reset
语言/Language
Time Setting
Exit And Save
Exit Without Save

6.2.2 Game Setting

Options	Status	Description
Difficulty	Easy/Normal/Hard	
Game Volume	0-10	
Demo Volume	0-10	
Coins Per Game	0-10	
Prize Mode	Ticket/None	Tickets out or not
Fixed Tickets	OFF/0-50	
Scores Per Ticket	50-30000	
Big Prize Required Coins	10-40	
Big Prize Tickets	0-2000	

Options	Status	Description
Game Time	0-600(s)	
Continue Time (s)	0-60	
Pay Mode	Coins/Insert Coins/Tap Card/Card	
1P Gun Calibration		Refer to 6.2.2.1
2P Gun Calibration		
3P Gun Calibration		
4P Gun Calibration		
Shock Adjustment		Gun shock adjustment. Refer to 6.2.2.2
Back		

6.2.2.1 Gun Calibration

Press TEST BUTTON To Exit
Potentiometer X Max:
Potentiometer Y Max:
Potentiometer X Min:
Potentiometer Y Min:

Use 1P gun point at the circle 1 then press START BUTTON to confirm
Potentiometer X:
Potentiometer Y:

6.2.2.2 Shock Adjustment

Options	Status
1P Small Shock	1-10
2P Small Shock	1-10
3P Small Shock	1-10
4P Small Shock	1-10
Back	

6.2.3 I/O Output Test

Options	Status
1P Out Tickets	ON/OFF
2P Out Tickets	ON/OFF
3P Out Tickets	ON/OFF
4P Out Tickets	ON/OFF
1P Gun Vibration	
2P Gun Vibration	
3P Gun Vibration	
4P Gun Vibration	
1P Gun&Chair Light	ON/OFF
2P Gun&Chair Light	ON/OFF
3P Gun&Chair Light	ON/OFF
4P Gun&Chair Light	ON/OFF
Border Light	ON/OFF
Control Panel Light	ON/OFF
Seat Light	ON/OFF

Options	Status
Out of Ticket Light 1	ON/OFF
Out of Ticket Light 2	ON/OFF
1P Ticket Counter	ON/OFF
2P Ticket Counter	ON/OFF
3P Ticket Counter	ON/OFF
4P Ticket Counter	ON/OFF
1P Coin Counter	ON/OFF
2P Coin Counter	ON/OFF
3P Coin Counter	ON/OFF
P1 Seat Vibration	ON/OFF
P2 Seat Vibration	ON/OFF
P3 Seat Vibration	ON/OFF
P4 Seat Vibration	ON/OFF
Back	

6.2.4 I/O Input Test

Options	Status
1P Insert Coin	ON/OFF
2P Insert Coin	ON/OFF
3P Insert Coin	ON/OFF
4P Insert Coin	ON/OFF
1P Potentiometer X	
1P Potentiometer Y	
2P Potentiometer X	
2P Potentiometer Y	
3P Potentiometer X	
3P Potentiometer Y	
4P Potentiometer X	
4P Potentiometer Y	

Options	Status
1P Start Button	ON/OFF
2P Start Button	ON/OFF
3P Start Button	ON/OFF
4P Start Button	ON/OFF
Test Button	ON/OFF
Settings Button	ON/OFF
Reset Button	ON/OFF
1P DBV	ON/OFF
2P DBV	ON/OFF
3P DBV	ON/OFF
4P DBV	ON/OFF
Back	

6.2.5 Bookkeeping

Player	Coins In	Tickets Out
Back		

6.2.6 Daily Record

Date	Week	Run Time	Coins In	Tickets Out
Prev Page Next Page Back				

6.2.7 Game Reset

Options
Factory Restore
Clear Record
Clear Owed Tickets
Clear Unused Coins
Back

6.2.8 Time Setting

Year
Month
Day
Hour
Minute
Second
Back And Save
Back Without Save

7. TROUBLESHOOTING

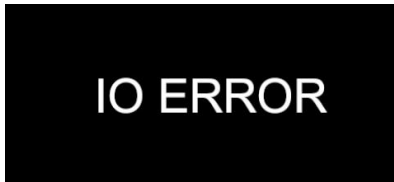
7.1 Common Problem

Please confirm that all connectors fit tightly.

Symptom	Possible Cause	Recommended action
Game will not start	Frame assembly connector is loose.	Check connector.
	Frame assembly fault	Contact with UNIS Service.
Power off	Circuit protector make power SW in off state.	Turn on power SW again. If appeared again and again, machine has anomaly. Please contact with UNIS Service.
No sound	Low volume	Raise the volume.
	Connector loose.	Check connector.
	Speaker fault.	Check speaker.
	POT installation error.	Install POT correctly.
	POT fault.	Change POT.
	Audio cable problem.	Reconnect the audio cable or change it.
	PC crash.	Restart or system recovery.
	Driver problem	Restart the audio driver.
Display black screen	Check connectors.	Plug in connector tightly
	Display fault.	Utilize another source such as a PC to verify if the display is operational.
	RAM is loose.	Remove and reinsert RAM.
Display blue screen	PC power cord is loose	Check PC power cord whether is loose.
	VGA signal cable is loose.	Check VGA cable
	PC video card is loose.	Reseat video card.
	“0X000000A” code appears. Conflict between computer drive and software.	Contact service

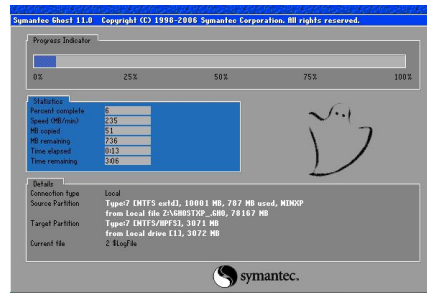
Note: After replacing component from PC (except for RAM), and replacing monitor, the game should be recovered again with the recovery stick attached to the machine.

If you see following error signs showing on the display, please try the recommended action.

Display	Possible Cause	Recommended action
	The connection part of the IO board and PC is loose.	Check and reconnect the loose part of the PC or IO board.
	Cable became loose during transport.	Check and reconnect the loose cables of the PC or IO board.
	Cable quality problem	Change the cable after checking the connection between IO board and PC.
	IO board is faulty.	Reboot the game after checking connection and cable problem, if the problem remains unresolved, please call the service department for assistance.

7.2 System Recovery Operation (NOTE: Do not disconnect power during this process.)

1. Turn off the game. Remove the recovery stick from the machine. (Note: This process may take up to 60 minutes) Insert the recovery stick into the port at the back of the computer.
2. Restart PC to enter the system recovery screen as shown.



3. The game will automatically start recovery.
4. Once system recovery is partially finished (as shown below), and the ICON appears, remove the recovery stick from the computer. The game will continue the install process.

OK to remove the recovery stick.



5. Assure that the recovery stick has been properly secured for future use.



WARNING: The recovery stick should only be used to fix software errors. Using it for other purposes may cause unexpected results and damages.

8. MAINTENANCE & INSPECTION

8.1 Safety Check

Check the points listed before operating the machine. These checks are necessary for safe machine operation:

1. Test game before operation each day.
2. Conduct monthly routine checks of game components to ensure good working condition.
3. Check the machine regularly for dust and clean when necessary.

Note: Parts and components require preventative maintenance to maintain proper operation.

8.2 Handling Precautions

When installing or inspecting the machine, be very careful and pay attention to ensure that the player can enjoy the game safely.

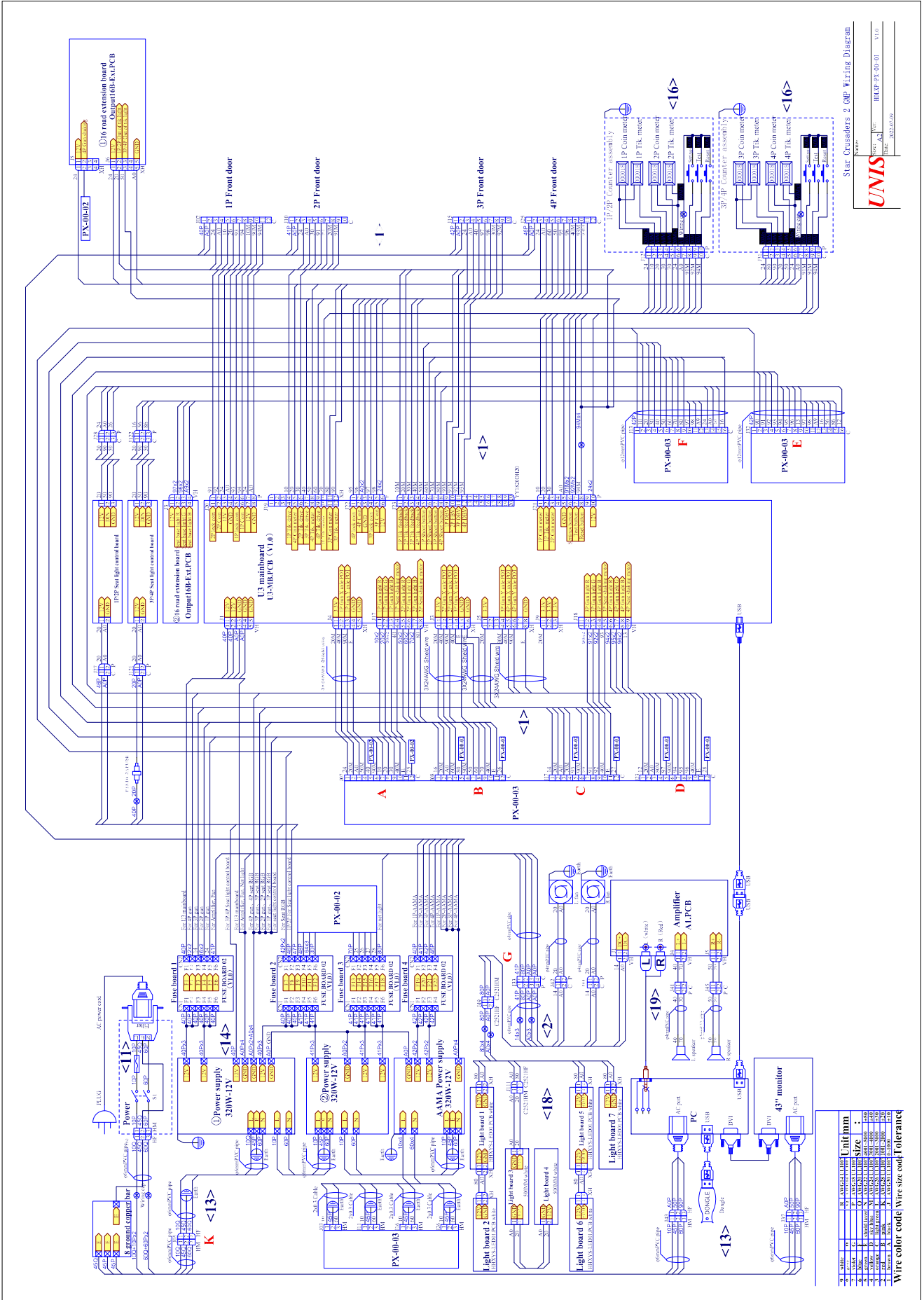
Inappropriate handling running counter to the cautionary matters can cause personal injury or damage to the machine.

 **NOTICE**

We do not recommend using power tools as they may cause damage.

www.unistechnology.com

9. WIRING DIAGRAM



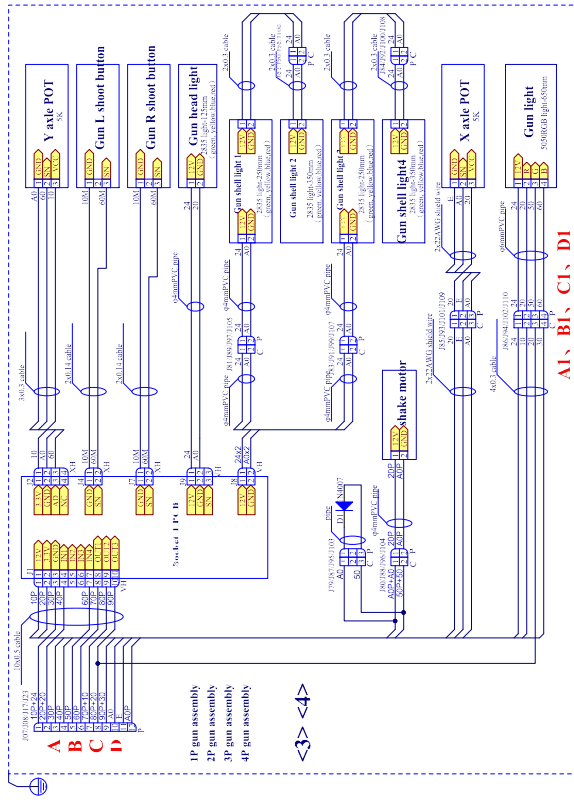
Star Crusaders 2 OMP Wiring Diagram

UNIS

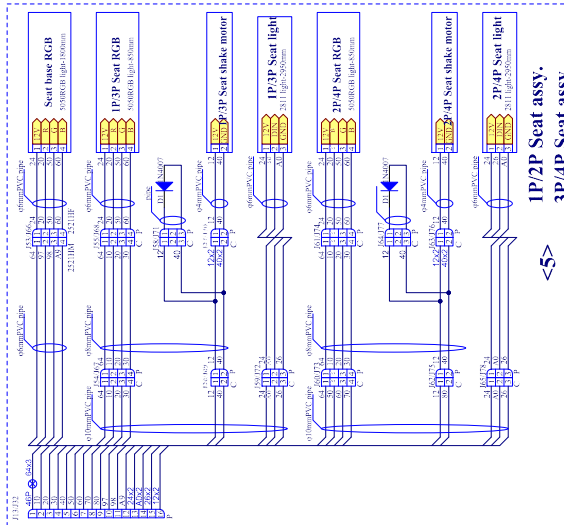
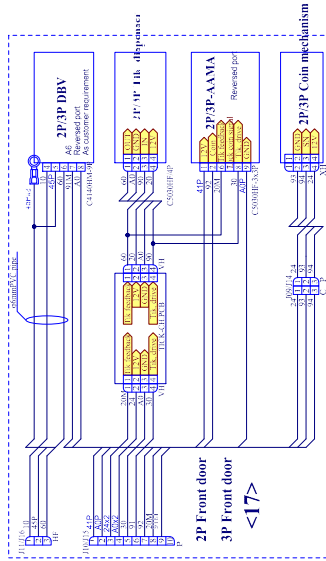
Power: 100V AC, 50/60Hz
 Date: 2022/09/09
 Version: 1.0
 Author: [Name]

Wire color code Wire size and Tolerance

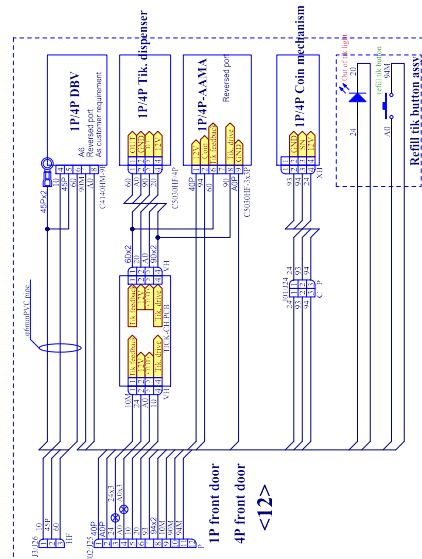
Wire Color	Wire Size	Tolerance
Red	0.5mm	±0.05mm
Blue	0.5mm	±0.05mm
Green	0.5mm	±0.05mm
Yellow	0.5mm	±0.05mm
Black	0.5mm	±0.05mm
White	0.5mm	±0.05mm
Brown	0.5mm	±0.05mm
Purple	0.5mm	±0.05mm
Pink	0.5mm	±0.05mm
Grey	0.5mm	±0.05mm
Orange	0.5mm	±0.05mm
Light Blue	0.5mm	±0.05mm
Light Green	0.5mm	±0.05mm
Light Yellow	0.5mm	±0.05mm
Light Purple	0.5mm	±0.05mm
Light Pink	0.5mm	±0.05mm
Light Grey	0.5mm	±0.05mm
Light Orange	0.5mm	±0.05mm
Light Light Blue	0.5mm	±0.05mm
Light Light Green	0.5mm	±0.05mm
Light Light Yellow	0.5mm	±0.05mm
Light Light Purple	0.5mm	±0.05mm
Light Light Pink	0.5mm	±0.05mm
Light Light Grey	0.5mm	±0.05mm
Light Light Orange	0.5mm	±0.05mm



A1, B1, C1, D1



<5>



Wire color code	Wire size	code	Tolerance
1	AWG24	0.005	±0.05
2	AWG24	0.005	±0.05
3	AWG24	0.005	±0.05
4	AWG24	0.005	±0.05
5	AWG24	0.005	±0.05
6	AWG24	0.005	±0.05
7	AWG24	0.005	±0.05
8	AWG24	0.005	±0.05
9	AWG24	0.005	±0.05
10	AWG24	0.005	±0.05
11	AWG24	0.005	±0.05
12	AWG24	0.005	±0.05
13	AWG24	0.005	±0.05
14	AWG24	0.005	±0.05
15	AWG24	0.005	±0.05
16	AWG24	0.005	±0.05
17	AWG24	0.005	±0.05
18	AWG24	0.005	±0.05
19	AWG24	0.005	±0.05
20	AWG24	0.005	±0.05
21	AWG24	0.005	±0.05
22	AWG24	0.005	±0.05
23	AWG24	0.005	±0.05
24	AWG24	0.005	±0.05
25	AWG24	0.005	±0.05
26	AWG24	0.005	±0.05
27	AWG24	0.005	±0.05
28	AWG24	0.005	±0.05
29	AWG24	0.005	±0.05
30	AWG24	0.005	±0.05
31	AWG24	0.005	±0.05
32	AWG24	0.005	±0.05
33	AWG24	0.005	±0.05
34	AWG24	0.005	±0.05
35	AWG24	0.005	±0.05
36	AWG24	0.005	±0.05
37	AWG24	0.005	±0.05
38	AWG24	0.005	±0.05
39	AWG24	0.005	±0.05
40	AWG24	0.005	±0.05
41	AWG24	0.005	±0.05
42	AWG24	0.005	±0.05
43	AWG24	0.005	±0.05
44	AWG24	0.005	±0.05
45	AWG24	0.005	±0.05
46	AWG24	0.005	±0.05
47	AWG24	0.005	±0.05
48	AWG24	0.005	±0.05
49	AWG24	0.005	±0.05
50	AWG24	0.005	±0.05
51	AWG24	0.005	±0.05
52	AWG24	0.005	±0.05
53	AWG24	0.005	±0.05
54	AWG24	0.005	±0.05
55	AWG24	0.005	±0.05
56	AWG24	0.005	±0.05
57	AWG24	0.005	±0.05
58	AWG24	0.005	±0.05
59	AWG24	0.005	±0.05
60	AWG24	0.005	±0.05
61	AWG24	0.005	±0.05
62	AWG24	0.005	±0.05
63	AWG24	0.005	±0.05
64	AWG24	0.005	±0.05
65	AWG24	0.005	±0.05
66	AWG24	0.005	±0.05
67	AWG24	0.005	±0.05
68	AWG24	0.005	±0.05
69	AWG24	0.005	±0.05
70	AWG24	0.005	±0.05
71	AWG24	0.005	±0.05
72	AWG24	0.005	±0.05
73	AWG24	0.005	±0.05
74	AWG24	0.005	±0.05
75	AWG24	0.005	±0.05
76	AWG24	0.005	±0.05
77	AWG24	0.005	±0.05
78	AWG24	0.005	±0.05
79	AWG24	0.005	±0.05
80	AWG24	0.005	±0.05
81	AWG24	0.005	±0.05
82	AWG24	0.005	±0.05
83	AWG24	0.005	±0.05
84	AWG24	0.005	±0.05
85	AWG24	0.005	±0.05
86	AWG24	0.005	±0.05
87	AWG24	0.005	±0.05
88	AWG24	0.005	±0.05
89	AWG24	0.005	±0.05
90	AWG24	0.005	±0.05
91	AWG24	0.005	±0.05
92	AWG24	0.005	±0.05
93	AWG24	0.005	±0.05
94	AWG24	0.005	±0.05
95	AWG24	0.005	±0.05
96	AWG24	0.005	±0.05
97	AWG24	0.005	±0.05
98	AWG24	0.005	±0.05
99	AWG24	0.005	±0.05
100	AWG24	0.005	±0.05

Star Crusaders 2 GUP Wiring Diagram

UNIS

Author: [Name]
Date: [Date]
Version: [Version]
Page: [Page]